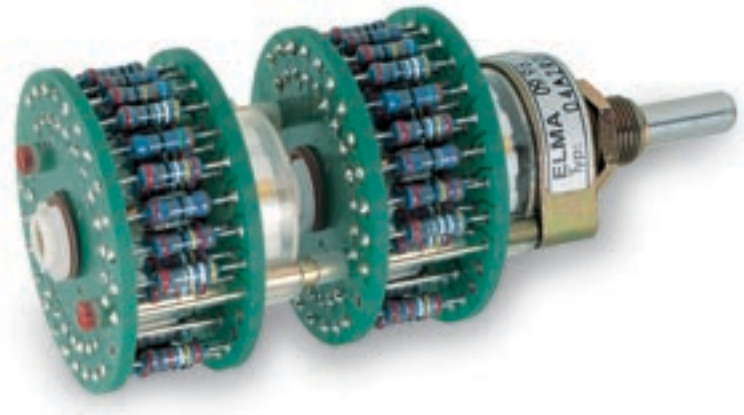
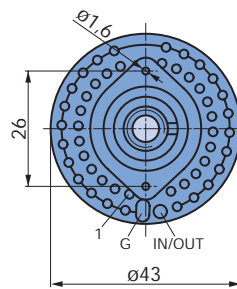
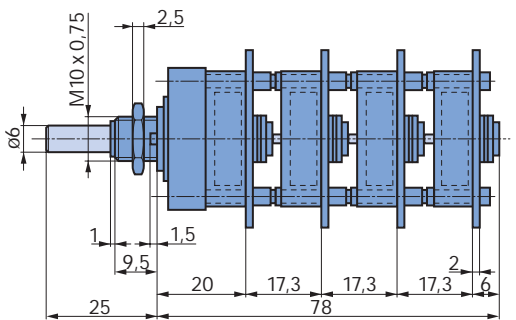


# Audio Switches Series R

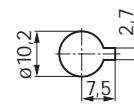
- 24 position switch
- high-end step attenuator with low switching torque
- test report available
- ladder attenuator



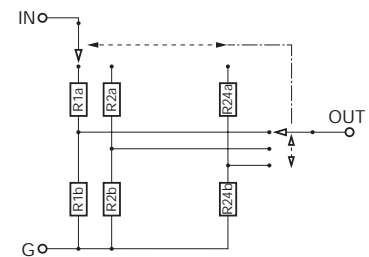
resistors not included



Front panel cut out



Circuit diagram



Switching function	Resistance	1-channel version	2-channel version
shorting	any	04A1R00	04A2R00

packing unit: 10 pieces

1 mm = 0.04 inch, 1 inch = 25.4 mm

Items available from stock!